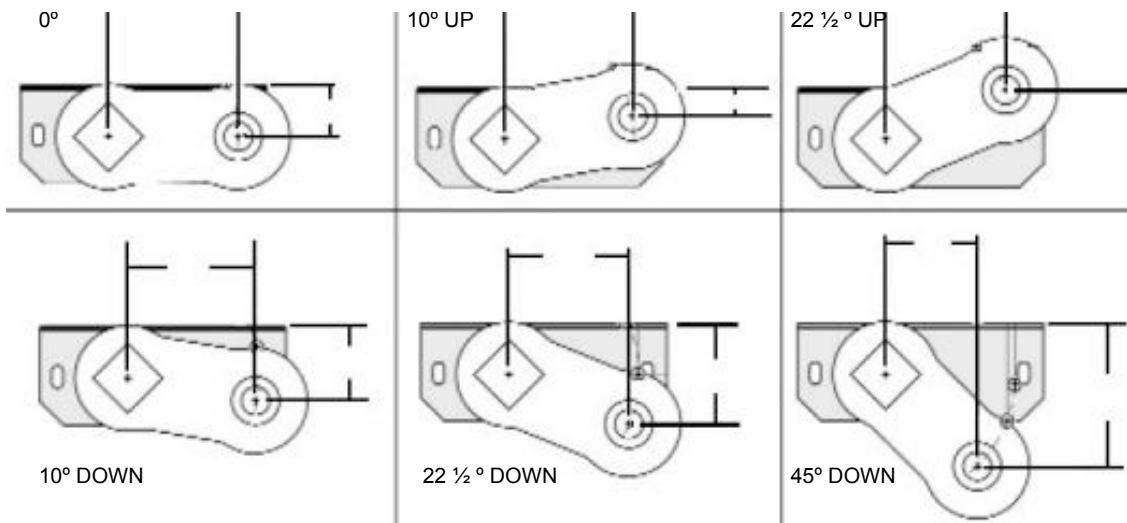
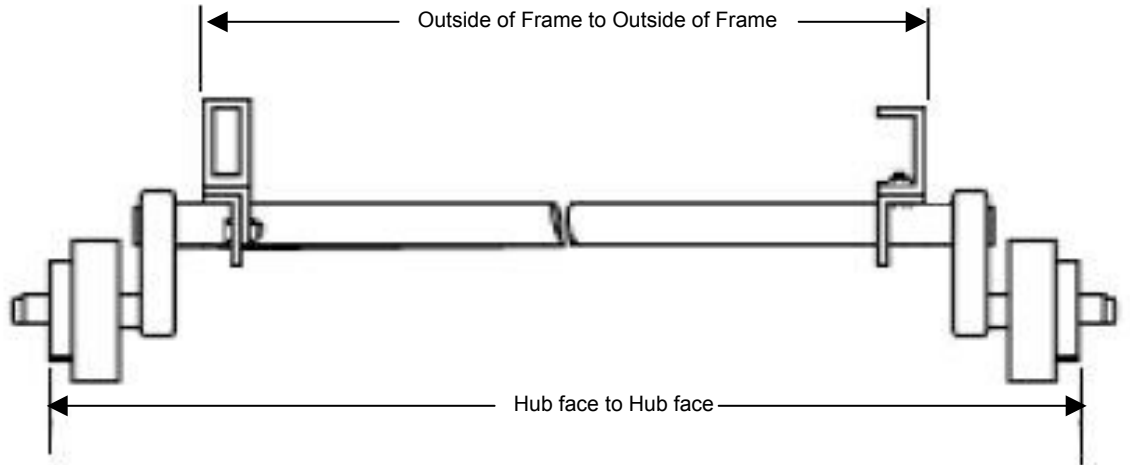


Measuring for Replacement Torflex Axles



Determine where the center of the spindle is in relationship to the bottom of the main frame to help determine closest articulation angle.

Customer Name: _____

Capacity (2000LB, 3500LB, 6000LB, 7000LB, etc) _____

Lube Type _____
(Grease, Oil Bath)

Bolt Pattern (4 Bolt, 5 Bolt*, 6 Bolt, 8 Bolt) _____

Hub face to Hub face _____

Stud Size _____
(1/2", 9/16" Etc)

Outside of Frame to Outside of Frame _____

Articulation Angle
(0, 10 Up, 22 1/2 Up, 10 Down, 22 1/2 Down, 45 Down) _____

Brake Type
(Idler, Electric, Hydraulic, Hydraulic Free Backing, Etc) _____

Other Information _____

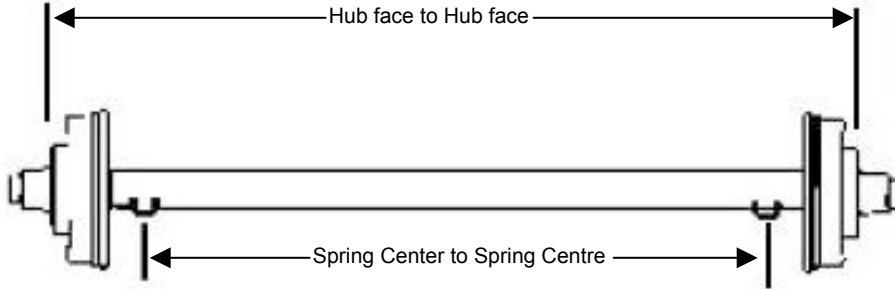
***Please Note**
Standard 5 bolt pattern on trailer axles is **5 on 4 1/2"** bolt circle.
There are also:
5 on 4 3/4
5 on 5
5 on 5 1/2
Please ensure you order the correct 5 bolt pattern.

Fax Completed Form to 306 773 6080 Attn: _____

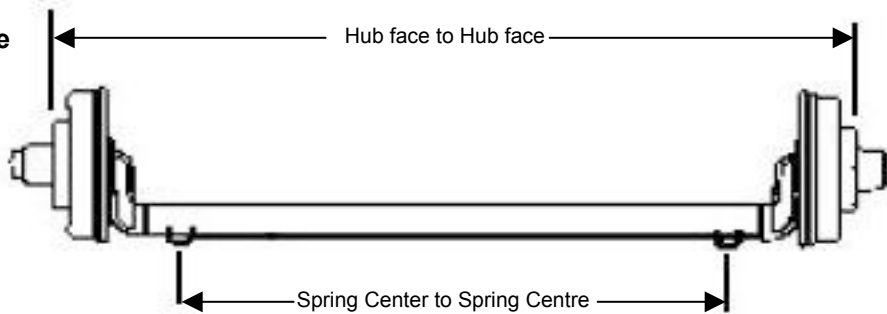
Measuring for Replacement Sprung Axles



Straight Axle



4" Drop Axle



Customer Name: _____

Capacity (2000LB, 3500LB, 6000LB, 7000LB, etc) _____

Straight _____

4" Drop _____

Beam Diameter
(1 3/4", 2 3/8", 3", Etc) _____

Bolt Pattern (4 Bolt, **5 Bolt***, 6 Bolt, 8 Bolt) _____

Stud Size _____

(1/2", 9/16" Etc)

Hub face to Hub face _____

Lube Type _____

(Grease, Oil Bath)

Spring Center to Spring Center _____

Under slung or Over slung
(Springs mounted under axle or over axle) _____

Brake Type
(Idler, Electric, Hydraulic, Hydraulic Free Backing, Etc) _____

Other Information _____

***Please Note**

Standard 5 bolt pattern on trailer axles is **5 on 4 1/2"** bolt circle.

There are also:

5 on 4 3/4"

5 on 5"

5 on 5 1/2"

Please ensure you order the correct 5 bolt pattern.

Fax Completed Form to 306 773 6080 Attn: _____