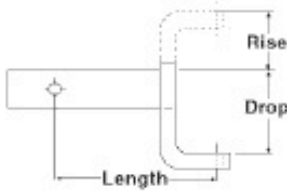


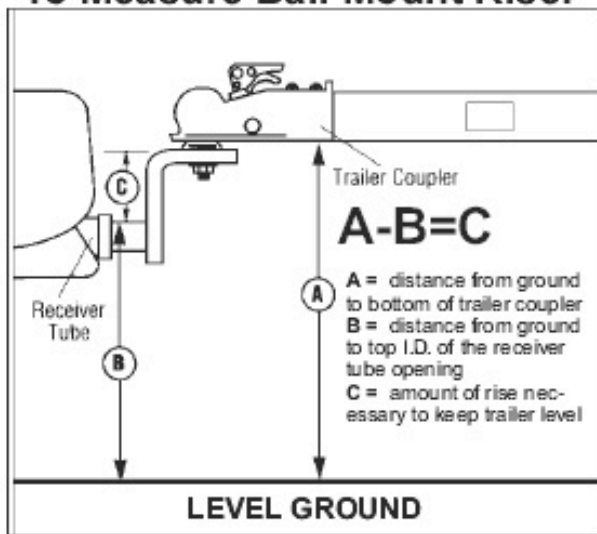
SELECTING A BALL MOUNT WITH THE CORRECT RISE OR DROP

Selecting a Ball Mount with the Correct Rise or Drop:



Follow the simple steps illustrated below to determine the ball mount with enough rise or drop to keep the trailer in a level position.

To Measure Ball Mount Rise:



To Measure Ball Mount Drop:

