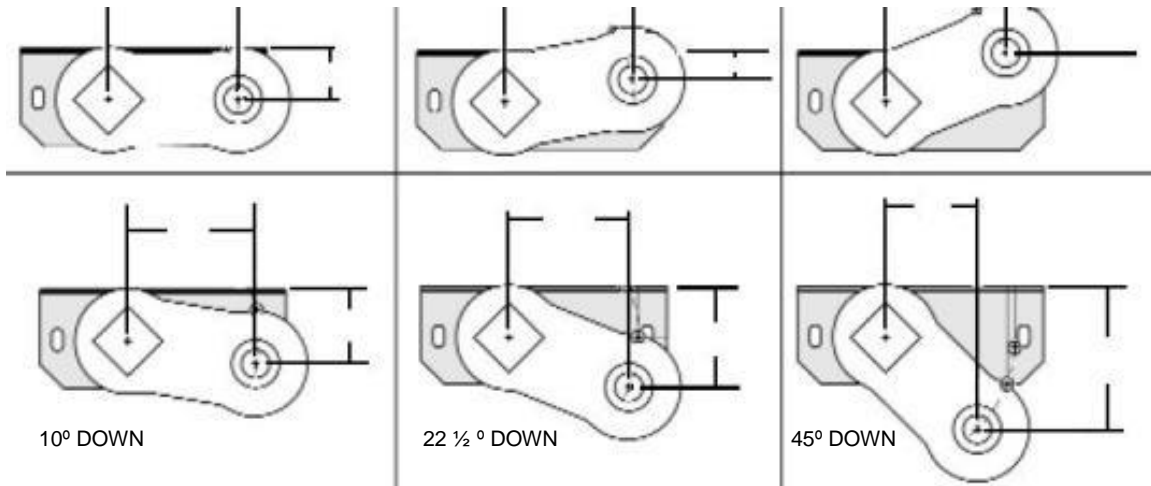
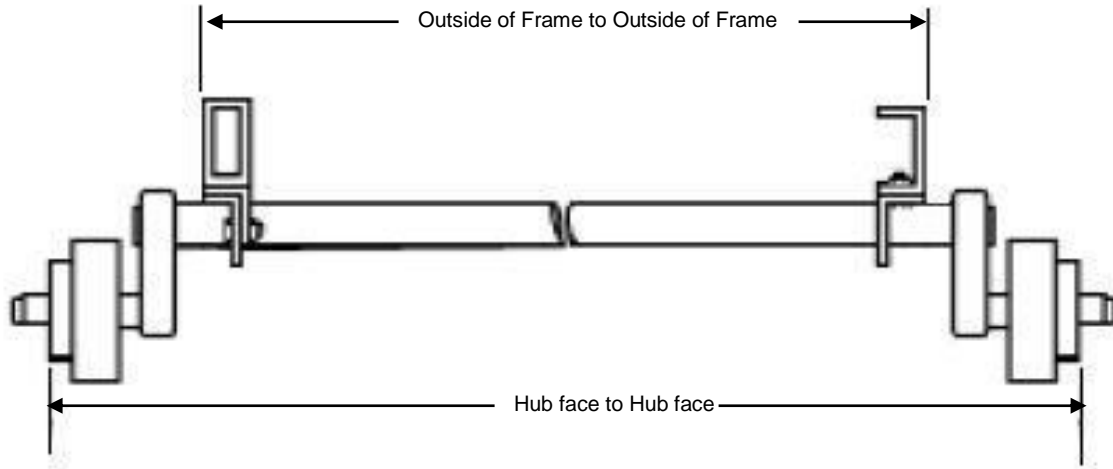


Measuring for Replacement Torflex Axles



Determine where the center of the spindle is in relationship to the bottom of the main frame to help determine closest articulation angle.

Date: _____ PO#: _____ Contact: _____

Customer Name: _____ Telephone: _____ Email: _____

Capacity (2000LB, 3500LB, 6000LB, 7000LB etc): _____

Bolt Pattern (4 Bolt, 5 Bolt*, 6 Bolt, 8 Bolt) _____

Hub Face to Face: _____ Brake Type: _____
(Idler, Electric, Hydraulic Free Backing, Etc.)

Lube Type: _____

Stud Size: _____

Qty: _____

Outside of Frame to Outside of Frame: _____

Articulation Angle: _____
(0, 10 up, 22-1/2 Up, 10 Down, 22-1/2 Down, 45 Down)

_____ Axle Order – No Return of Axle except for Warranty

_____ Axle in Stock – Returnable with permission only and if not sued or mounted.

Please email completed form to: _____

***Please Note**
 Standard 5 bolt pattern on trailer axles is **5 on 4 1/2"** bolt circle.
 There are also:
 5 on 4 3/4
 5 on 5
 5 on 5 1/2
 Please ensure you order the correct 5 bolt pattern.