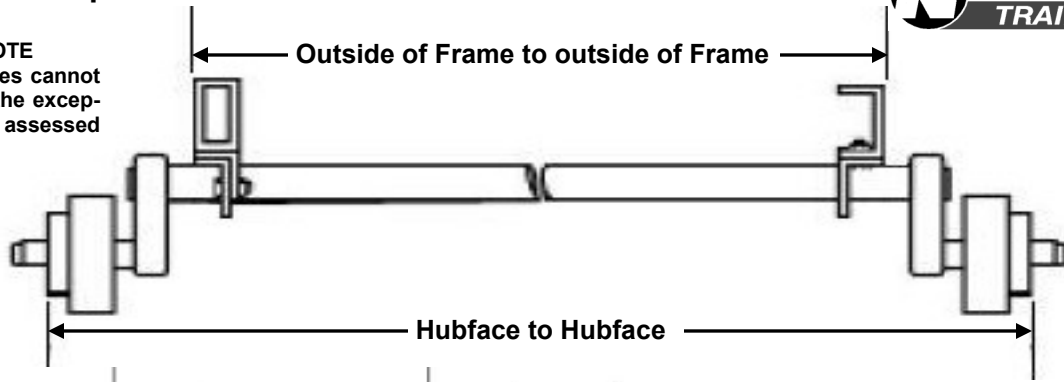


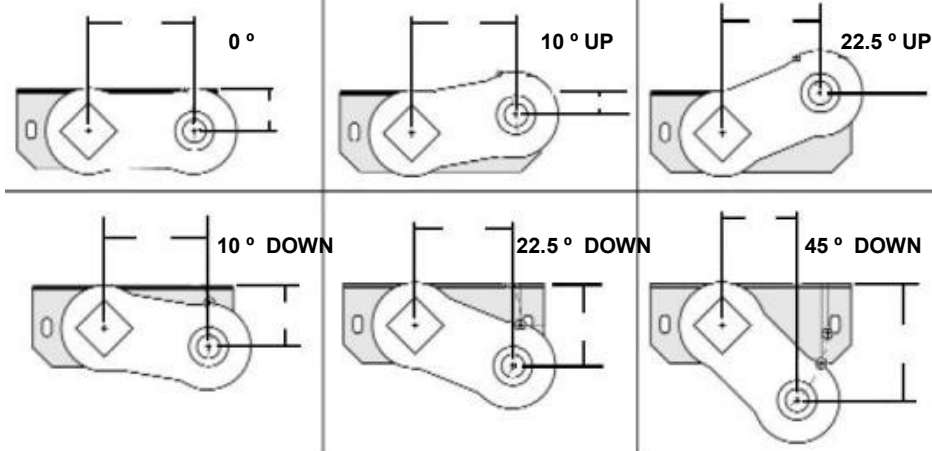
Measuring for Replacement Torflex® or Torsion Axles



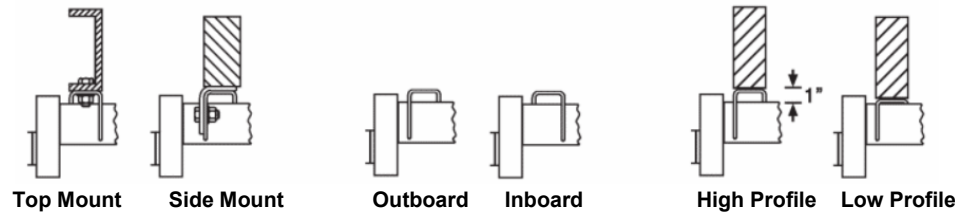
PLEASE NOTE
 Special order axles cannot be returned with the exception of axles to be assessed for warranty



Determine where the centre of the spindle is in relationship to the bottom of the main frame to help determine the closest articulation angle



PLEASE NOTE
 ** Special order axles cannot be returned with the exception of axles to be assessed for warranty**



BRACKET ORIENTATION

- Top Mount or Side Mount
- Outboard or Inboard
- Low Profile or High Profile

Date: _____ PO#: _____ Contact: _____

Customer Name: _____ Telephone: _____ Email: _____

Capacity (2000LB, 3500LB, 6000LB, 7000LB etc): _____ Quantity of Axles to order: _____

Hub Face to Face: _____ Outside of Frame to Outside of Frame: _____

Brake Type: _____ Lube Type: _____
 (Electric, Hydraulic, Hydraulic Disc, etc) (Standard Grease, EZ Lube, Oil Bath, etc)

Articulation Angle: _____
 (0, 10 up, 22-1/2 Up, 10 Down, 22-1/2 Down, 45 Down)

Bolt Pattern (4 Bolt, 5 Bolt*, 6 Bolt, 8 Bolt) : _____

Stud Size: (1/2", 9/16", 5/8", etc.) _____

Inboard Brackets or Outboard Brackets: _____ Low Profile Brackets or High Profile Brackets _____

Please Note
 Standard 5 bolt pattern on trailer axles is **5 on 4 1/2"** bolt circle.
 There are also: 5 on 4 3/4, 5 on 5, 5 on 5 1/2
 Please ensure you order the correct 5 bolt pattern.

(If High Profile—what is bracket height 1", 3" etc)

Please email completed form to: _____ **Or Fax to 306 773 6080**